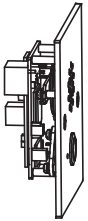


Quick Guide

Unpacking

Before you begin using the device, please check the version you got and ensure that the following items are included in the shipped box:



E20 × 1



Torx wrench × 1



M3.5X30 tamper proof screw
× 2

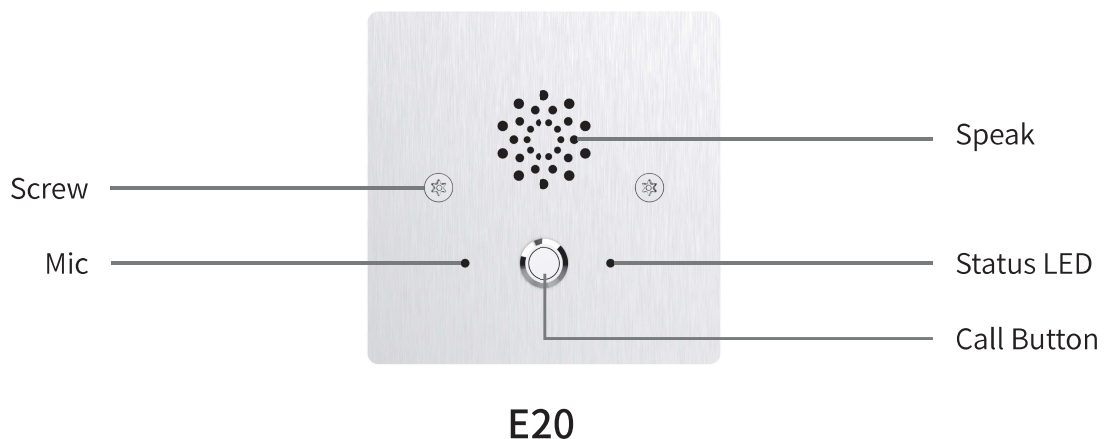


M4X30 tamper proof screw
× 2

Note:

- Please take out screws which are placed under the foam in box before discarding the box.
- Please choose the appropriate size screws to install device, as the 86 embedded box may have different hole sizes.

Product Overview



Quick Guide

Installation Environment

- 1.The device is not waterproof.
- 2.The device can only be installed indoors.
- 3.Do not place the device in the high-temperature, and humid environments or in surroundings impacted by magnetic field.
- 4.Install the device securely to avoid personal injuries and property loss caused by device' s falling.
- 5.Do not use or place the device near heating objects.

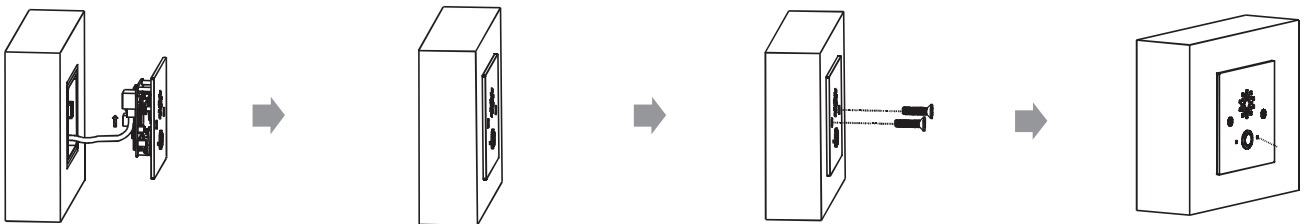
Cleaning

We advise you use wet cloth clean device surface softly, and then wipe the surface with dry cloth for cleaning the device.

Other Tips

- 1.Do not expose device to chemical products, such as alcohol, acid liquid, disinfectants, and so on.
- 2.Do not press down hard on the device screen.
- 3.Do not knock device with hard objects.
- 4.Be careful that standing up on the area under the device in case of personal injuries cause by hitting the device.
- 5.Do not attempt to modify, alternate, maintain, or repair device by yourself.
- 6.Power off the device and contact Technical Team immediately if there is abnormal situation of the device, such as uncommon sound, smell, and so on.

Installation



The device should be installed on the wall with 86 embedded box. Connect the POE cable into the interface on back of the device from wall.

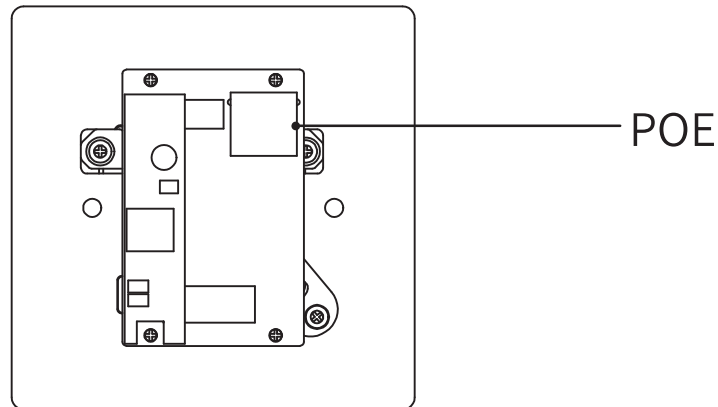
Organize and put cable into the embedded box, then push the device into the box in wall.

Use two tamper proof screws to fix the device on the embedded box.

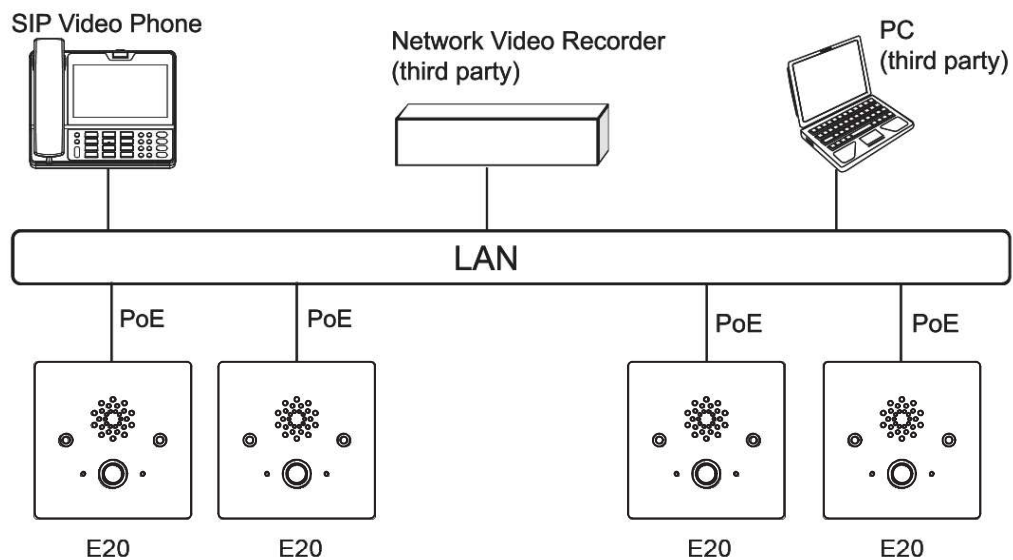
Wait the LED light turn green and begin to broadcast IP address, the installation is completed.

Quick Guide

Device Wiring



Application Network Topology



Configuration

1. Access the Web UI: Input the IP address into browser to configure the phone.
2. Account Registration: On web UI, go to the path: **Account > Basic** to register an account and fill in the account information (**please refer to administrator guide for more information**).
3. Push Button Configuration: On web UI, go to the path: **Phone > Call Feature > Push Button** to configure the call number.

Quick Guide

IP Broadcast

On the web UI, go to the path: **Phone > Preference > IP Broadcast** to enable or disable IP Broadcast, the default is enable.

- While E20 starts up and connect to network normally, it will broadcast IP address three times if enable IP Broadcast.

Operation

Make a call:

Press the **Call Button** to call indoor guard phone.

Receive a call:

E20 supports Auto Answer by default. Incoming calls from indoor device will be answered automatically.

LED Status Information

Color	LED Light Status	Color Code
Blue	A solid blue light	Normal state
		A call ends
		Broadcasting IP address
	A blinking blue light	Calling out
Green	A solid green light	During a call
Red	A slowly blinking red light	Failed to obtain IP address
	A rapidly blinking red light	Failed to update the device
Red&Yellow	An alternately flashing red and yellow light	During an updating process
Green to Red	From a solid green light to a blinking red light	Starting the device
White, Green, then White	First, a white light flashes. Next, a green light is on for 3 seconds. Then switch to a solid white light.	Factoring Resetting the device
White,Green, White, Red, finally Green	First, a white light flashes, Next changes to a green light that will be on for 3 seconds. Then, a solid white light displays. Followed by a red light that will stay on for 2 seconds, Lastly, a green light turns on	Failed to factor reset the device



YS20000077